






PROJECT		REF		REV	ITEM CODE	
LOCATION		DATE			PAGE	

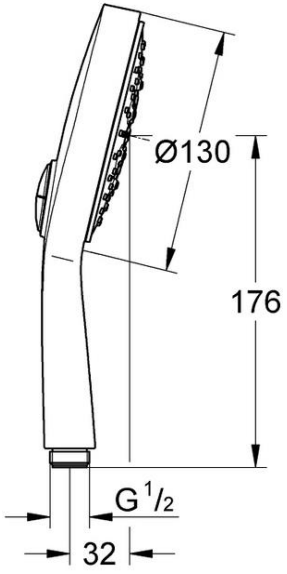
SANITARY WARE SPECIFICATION SHEET

Item Descriptions	GROHE (Germany) "Cosmopolitan 130" 4 sprays hand shower ; Nominal flow rate 8.4 L/min in WELS Grade 1 ; Registration No.SB 16-0012
Dimensions	Refer to drawing
Model	27664000
Finish	Chrome Plated
Manufacturer	GROHE Limited
Country of Origin	Germany
Supplier	Acme Sanitary Ware Co. Ltd Mr. Eric Wong/ Mr. Don Yuen
Contact Tel/Fax	(852) 2388-7171 / (852) 2710-8012
E-mail	acme@acmesanitary.com.hk
Website	www.acmesanitary.com.hk




Illustration/ Drawing





Dynamic flow pressure (kPa)	50	150	250	350	500
Flow rate (l / min)	5.40	8.30	8.50	8.50	8.60

- 4 sprays: GROHE Rain O², Rain, Bokoma Spray and Jet
 - 2.5 gpm (9.5 l/min) flow limiter
 - **GROHE DreamSpray** perfect spray pattern
 - **GROHE One-click** showering spray selection via push button
 - **GROHE StarLight** chrome finish
 - SpeedClean anti-lime system
 - Inner WaterGuide for a longer life
 - Universal mounting system (fits all standard shower hoses)
 - Suitable for instantaneous heater
 - Max Flow Rate 2.5 gpm (9.5 L/min)
 - Min. recommended pressure: 15 psi (1.0 bar)
- 



Note:

* All information of the above is for the reference only. No prior notice is made if any changes.




自願參與用水效益標籤計劃 - 沐浴花灑
Voluntary Water Efficiency Labelling Scheme - Showers for Bathing



茲證明
This is to certify that

將下列花灑在本計劃內註冊：
has registered the following shower under this scheme :

牌子 / Brand : GROHE
型號 / Model : 27664000
原產地 / Country or Region Origin : Germany

在用水效益標籤上展示的標誌
Symbolic Presentation on the Water Efficiency Label :  滴水點 *Water droplet(s)*
用水效益級別
Water Efficiency Grade : 1
耗水量
Water Consumption : 8.4 公升/分鐘 *litres/minute*

簽發日期:
Date of Issue: 28 December 2016

 水務署
Water Supplies Department



水務署署長(周世威代行)
for Director of Water Supplies